

**DESCRIPTION:**

DMK : it is used for cleaning and controlling of duct systems

MATERIAL:

Extruded Aluminum Frame, Galvanized steel Cover or Aluminum Cover

APPLICATION:

DMK Series Access door: Provides an access door function for fan coil units and mechanical installation

The access door opens and closes on a push-push action. It locks on the first push and releases with the second push.

FINISHING:

- Standard finishing is natural anodized. Electrostatic powder coating is optional.
- Standard colours are RAL 9010 and RAL 9016 . Other colours are available with enamel paint.

INSTALLATION:

- System with screws is standard.
- System with clips and plate spring is used if no hole is requested on the frame.

ACCESSORIES:

- The cover can be produced with insulated or uninsulated
- Open-close mechanism, automatic touch-operated and Hinged

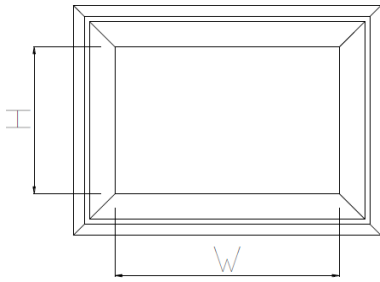


GMC İklimlendirme Sistemleri
Orhanlı Beldesi Orta Mah. Livan Sk. No:10-1
Tuzla – İstanbul / TURKEY

+0090 216 3773360 ☎
+0090 216 3772730 📠
www.gmcgrup.com 🌐



STANDARD SIZES (mm) :

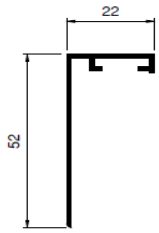


W : 100-150-200-250-300-350-400-450-500-550-600 mm

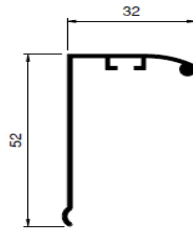
H : 100-150-200-250-300-350-400-450-500-550-600 mm

* Any combination of these sizes

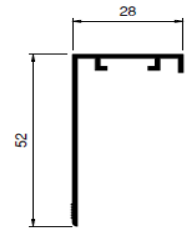
FRAME TYPES:



22mm Frame

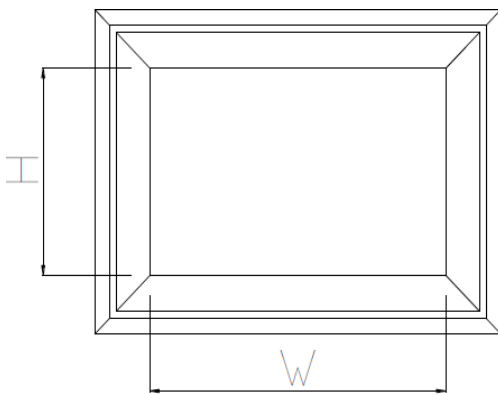


32mm Frame

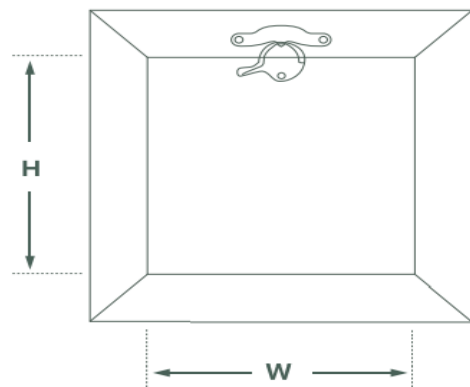


28mm Frame

DRAWINGS:



Standard Snap Control Cover



Standard Hinged Control Cover

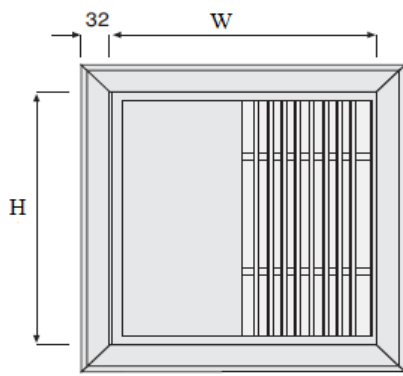


GMC İklimlendirme Sistemleri
Orhanlı Beldesi Orta Mah. Livan Sk. No:10-1
Tuzla – İstanbul / TURKEY

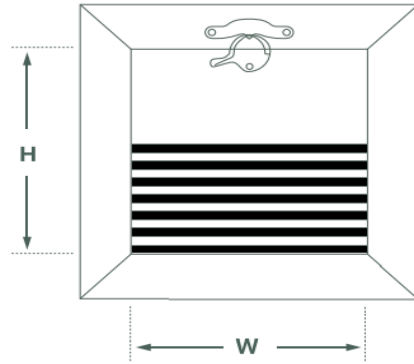
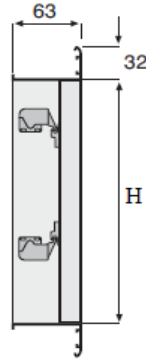
+0090 216 3773360 ☎

+0090 216 3772730 📠

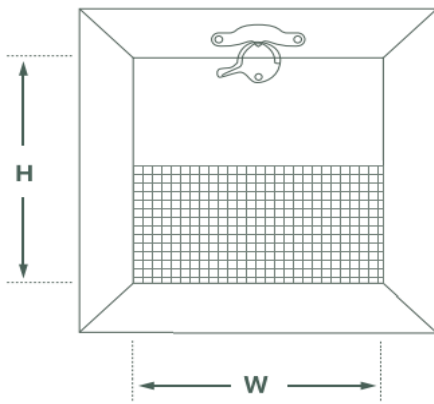
www.gmcgrup.com 🌐



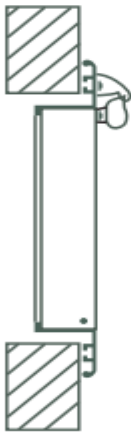
Automatic Snap Cover Half Linear Grille



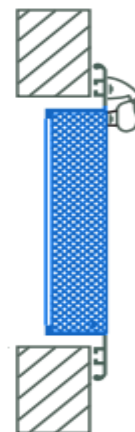
Hinged Cover Half Linear Grille



Hinged Cover Half Egg Crate Grille



Hinged uninsulated Control Cover



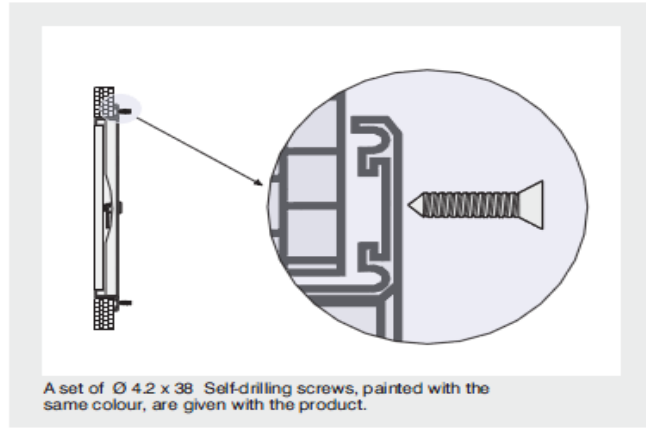
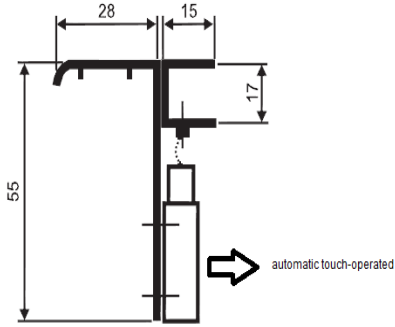
Hinged insulated Control Cover



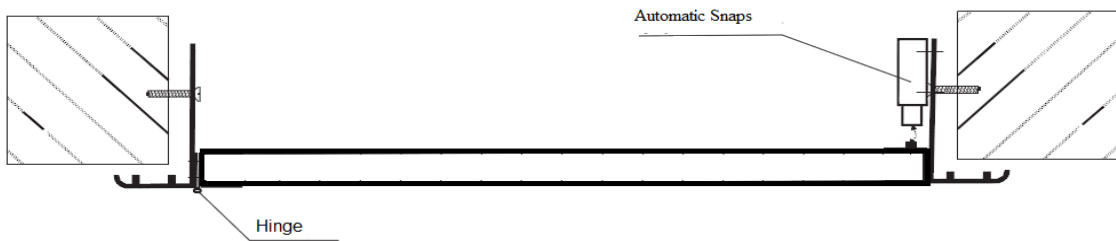


MOUNTING DETAILS:

1- Screw Mounting Details



2 – Screw Mounting Details with hide



**APPLICATION EXAMPLE:****Air Conditioning Access Door:**

1 – Cover Closed



2 – Cover Open



3 – Automatic Snap



GMC İklimlendirme Sistemleri
Orhanlı Beldesi Orta Mah. Livan Sk. No:10-1
Tuzla – İstanbul / TURKEY

+0090 216 3773360

+0090 216 3772730

www.gmcgrup.com





ORDER CODE:

| | | | | | | |
|---|---|--|---|--|----|---|
| DMK | O | 22 | D | RAL9010 | VD | W 400X400 |
| O: Touch operation M: Hinged A: Keyed | | 22mm Frame = 22mm 32mm Frame = 32mm | | D : Cover Flat Galvanized Steel YL: Cover Half Linear Grille KP: Cover Half Egg Crate Grille | | W: Neck Size C: Frame Size 00: without Mounting VD: Screw Mounting VD-H: Screw Mounting with Hide |
| | | | | | | 00: without coating EL: Anodic Aluminium RAL----: Powder Coated RAL |

